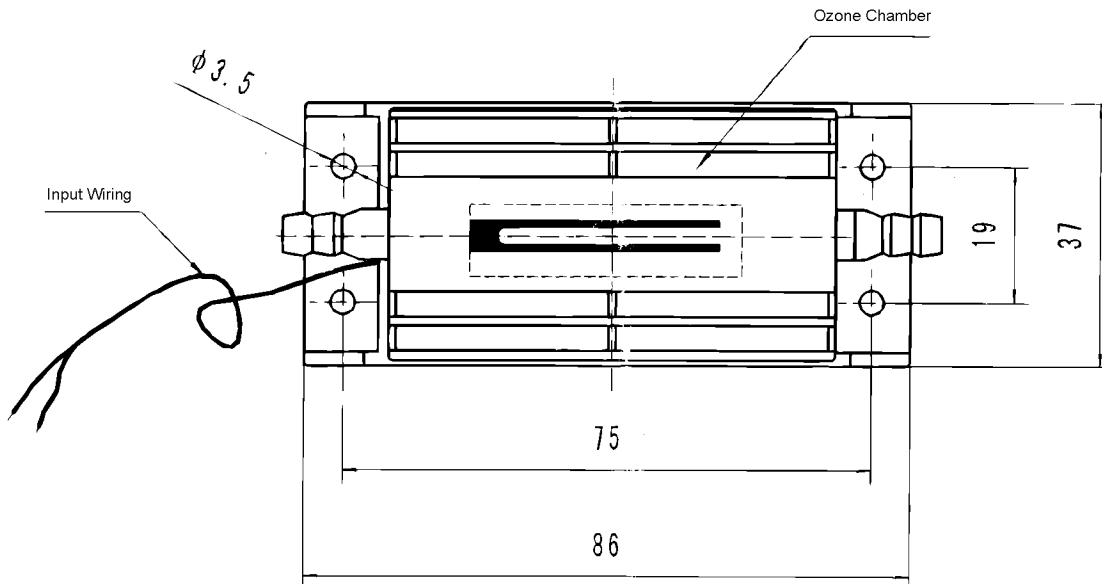
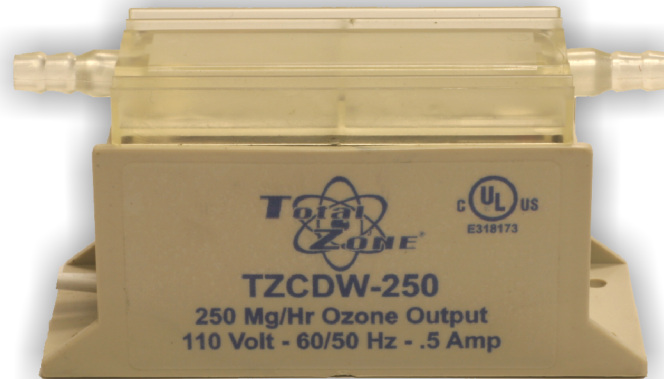




TZCDW-250 Advanced Ozone Generation Equipment

Natural Water Purification With Activated Oxygen

The Total Solution To Water Quality Problems In Your Home Or Business



Input Voltage	AC 110	AC 220
Hertz	50 / 60	50 / 60
Input Power	< 5 Watts	< 5 Watts
Input Current	< 170 ma	< 170 ma
Ozone Output	250 Mg/Hr	250 Mg/Hr
Hose Connection Size	3/16" - 1/4"	3/16" - 1/4"
Maximum Pressure	5 PSI	5 PSI
UL Listing	E318173	E318173

NOTE: Unit must have a minimum of 5 SCFH airflow during operation or overheating will occur.